

JB-5-SG-(WH/BK/NK)

Diffusion Accessories



Safety Instruction and Warning

WARNING:

READ CAREFULLY BEFORE INSTALLING.

Installation should only be performed by a qualified electrician in accordance with NEC and all applicable local building codes.

Risk of fire or electric shock. Fixture installation requires knowledge of luminaire electrical systems. If not qualified, do not attempt installation. Contact a qualified electrician.

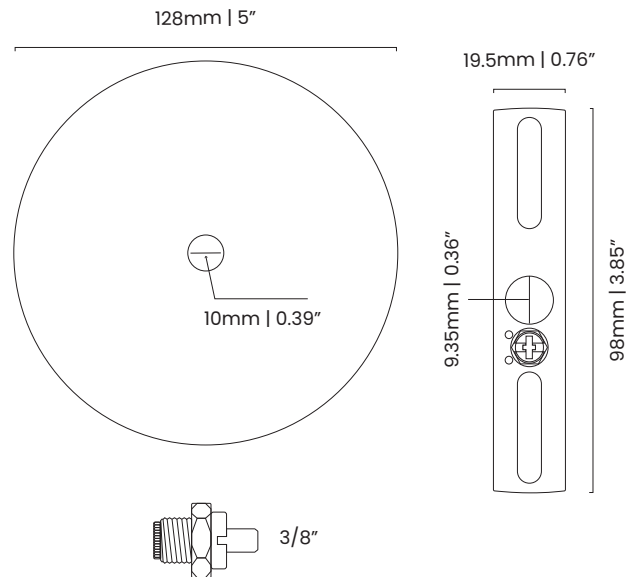
Ensure that electrical power is turned OFF before and during installation or maintenance.

Fixtures must be connected to a wiring system that includes an equipment-grounding conductor.

Ensure that the supply voltage matches the rated voltage of the luminaire fixture.

Wear gloves and safety glasses at all times when removing the luminaire from the carton, installing, servicing, or performing maintenance.

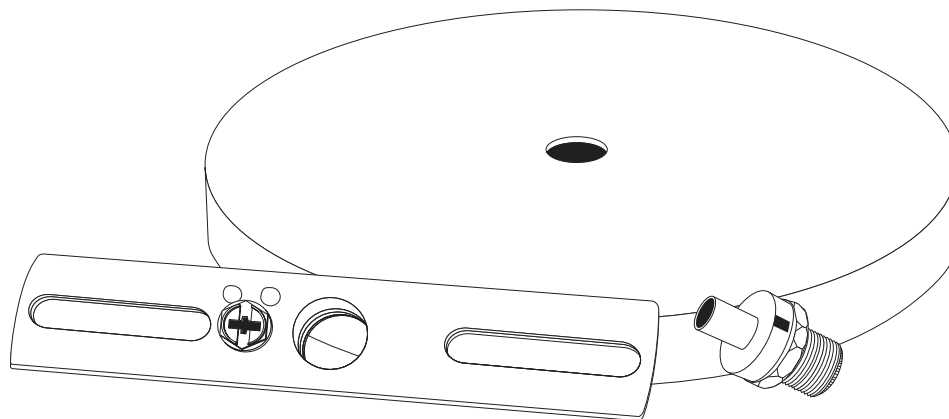
Diagram



Description

The Diffusion JB-5-SG-(WH/BK/NK) is an accessory for suspending Diffusion pendant fixtures. Featuring a modern and sleek design, it is suitable for both residential and commercial lighting projects.

Octagon Box Kit



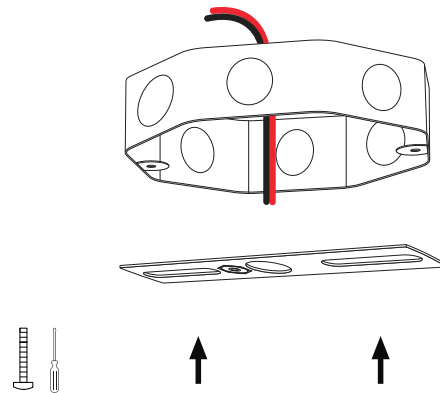
JB-5-SG-(WH/BK/NK)

Diffusion Accessories



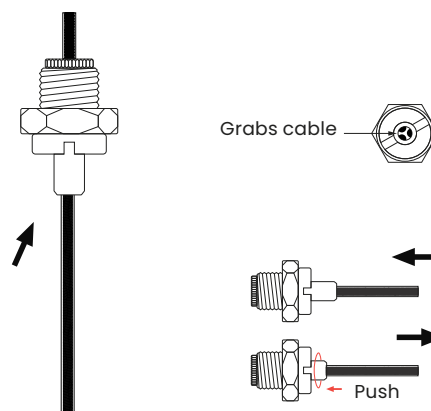
Step 1

Attach the mounting bracket firmly to the desired octagon box.



Step 2

Insert the Suspension Power Cable and Standard Suspension Cable into their respective grippers. Press the tip of the gripper as shown to allow the cable to slide through in either direction.



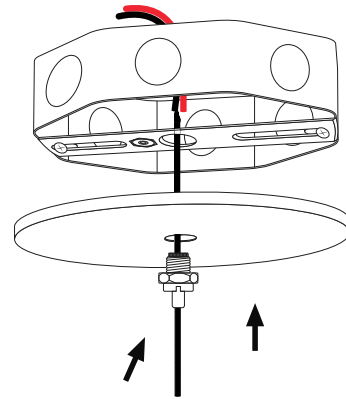
JB-5-SG-(WH/BK/NK)

Diffusion Accessories



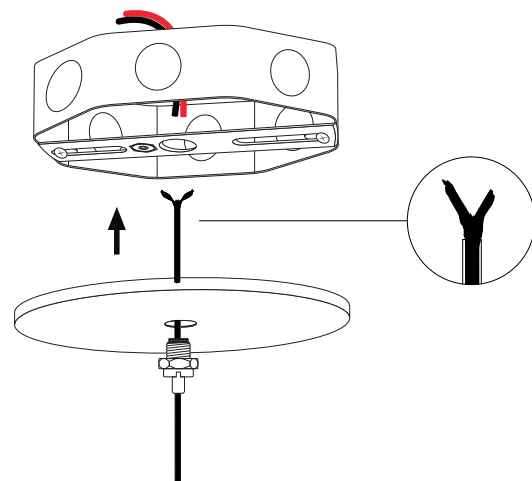
Step 3

Pass the cables through the 5" canopy cover plates, making sure the threaded side of each gripper points away from the fixture.



Step 4

Splice the Power Suspension Cable(s), and push excess cable and wire into the box behind the mounting bracket.



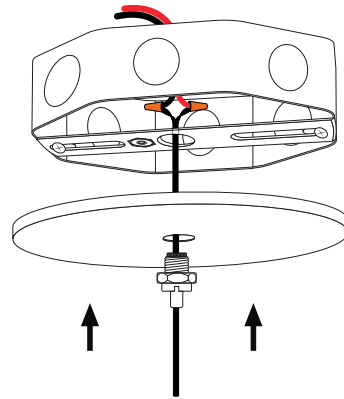
JB-5-SG-(WH/BK/NK)

Diffusion Accessories



Step 5

Thread the grippers into their mounting brackets with a 5" Canopy cover plate between the gripper and box, making sure to tighten sufficiently and not pinch any wires.



Step 6

Test fixture.

