

# DLMULTI Driver Series

## Forward/Reverse/TRIAC/0-10V



### Safety Instruction and Warning

WARNING:

#### READ CAREFULLY BEFORE INSTALLING.

Installation should only be conducted by a qualified electrician in accordance with NEC and any relevant local building codes.

Risk of fire or electric shock. Fixture installation requires knowledge of luminaire electrical systems. If not qualified, do not attempt installation. Contact a qualified electrician.

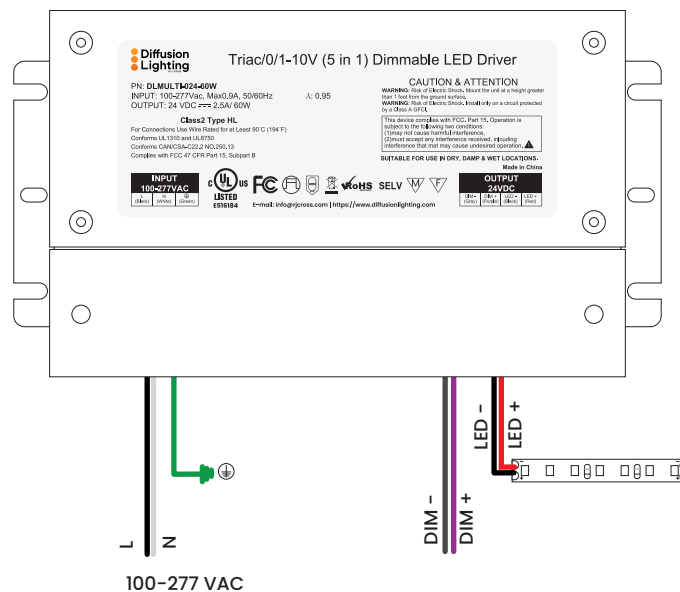
Be certain electrical power is OFF before and during installation and maintenance.

Fixtures must be connected to a wiring system with an equipment-grounding conductor.

Make sure the supply voltage is the same as the rated luminaire Fixtures voltage.

Wear gloves and safety glasses at all times when removing luminaire from carton, installing, servicing or performing maintenance.

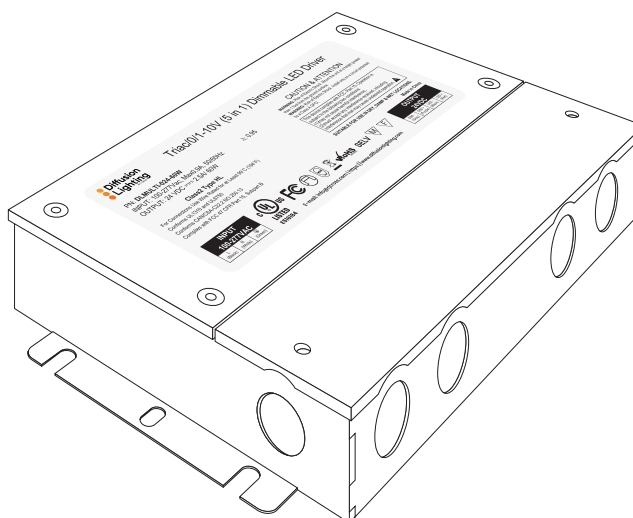
### Diagram



### Description

The Diffusion DLMULTI-024 is a Dimmable LED Driver that works with Forward / Reverse phase, ELV, TRIAC, or 0-10V Dimmers.

### Shop Drawing



# DLMULTI Driver Series

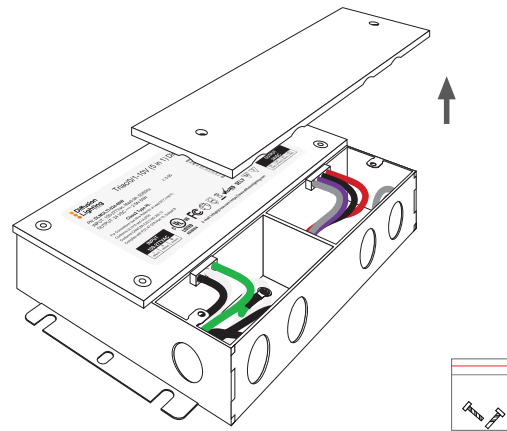
## Forward/Reverse/TRIAC/0-10v



### Step 1

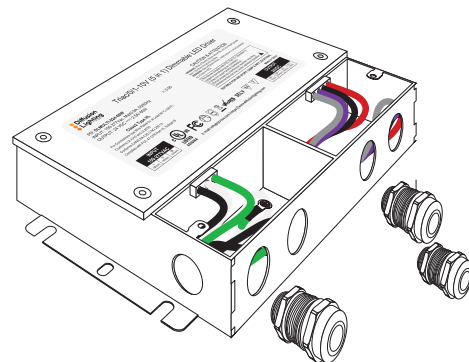
Remove the cover from the driver enclosure.

There are two screws in a small plastic bag. These screws will be used to fasten the enclosure cover after wiring has been completed.



### Step 2

Remove knockouts and install appropriate connectors for the AC input cable(s) as well as the DC output cable(s).



# DLMULTI Driver Series

## Forward/Reverse/TRIAC/0-10v

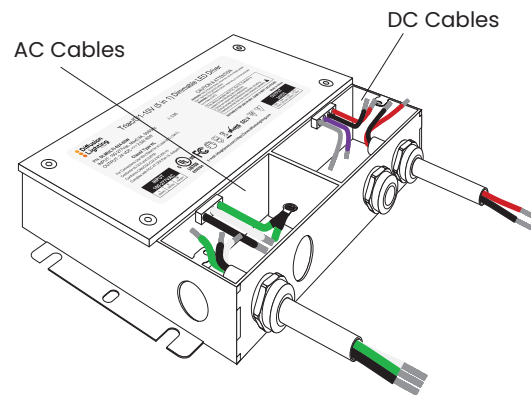


### Step 3

Install the cables into their respective connectors, ensuring you do not overtighten the DC cable(s).

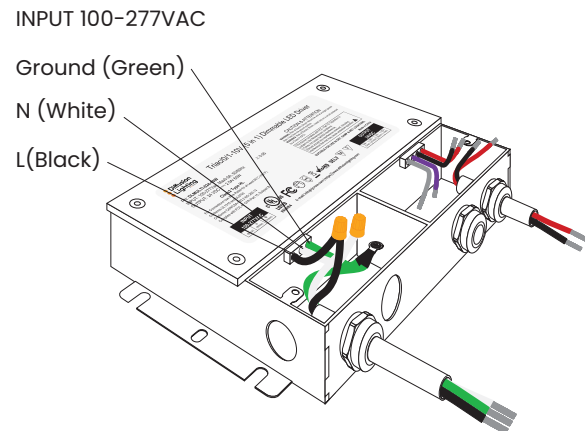
Make sure there is enough wire inside the enclosure to connect each wire to its respective input and output leads.

Bond the enclosure with the bonding wire from the AC cable.



### Step 4

Connect the Black wire (Line) and White wire (Neutral) from the AC cable to their respective Black (Line) and White (Neutral) input leads inside the AC side of the driver enclosure.



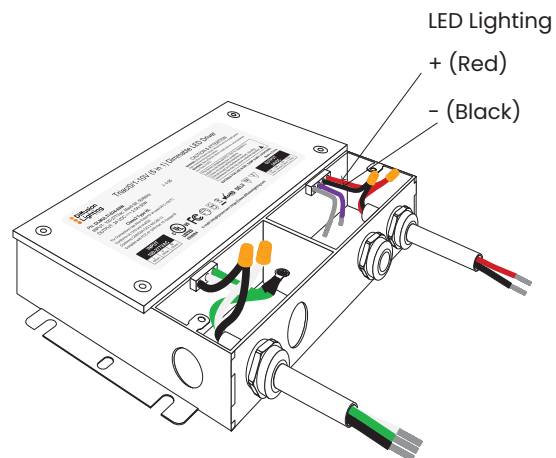
# DLMULTI Driver Series

## Forward/Reverse/TRIAC/0-10v



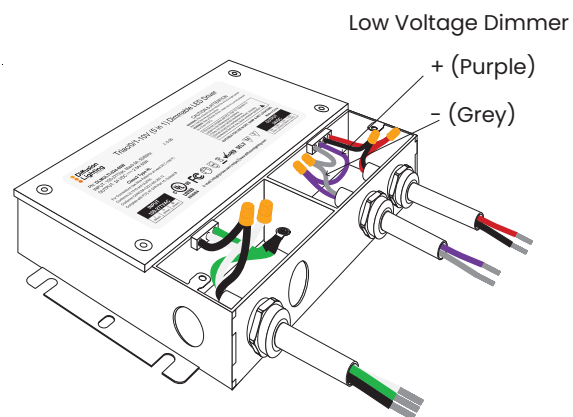
### Step 5

Connect the Red (+) and Black (-) wires from the DC cable(s), feeding the LED lighting, to their respective Red (+) and Black (-) output leads inside the DC side of the driver enclosure.



### Step 6

If using Low Voltage Dimming, connect the Purple (+) and Grey (-) wires from the Dimming Controller to their respective Purple (+) and Grey (-) dimming leads inside the DC side of the driver.



# DLMULTI Driver Series

## Forward/Reverse/TRIAC/0-10v

### Step 7

Install the driver enclosure cover. Test that the driver functions correctly.

Finished!

