

CN8-PF Clip Connector

Diffusion Accessories

Description

The CN8-PF Power Feed connector simplifies connecting your LED ribbon for quick and secure installations. This 8 mm wide joiner works with our Indoor SL3 and SL1 ribbons.

Features

- Solderless connections
- No special connectors or hardware required

Dimensions

Connector

17.7 mm (0.69") L x 9.7 mm (0.38") W x 4.5 mm (0.18") H

Power Feed Length

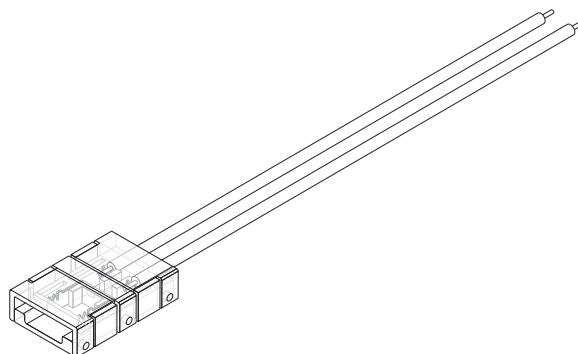
100 mm (4")

Total Length

116 mm (4.56")

Interior Dimensions

8 mm (0.31")



Specifications

Compatibility	SL3 and SL1 Indoor
Connection Type	Power Feed Connector
Material	Plastic
Inner Width	8 mm

Diagram

