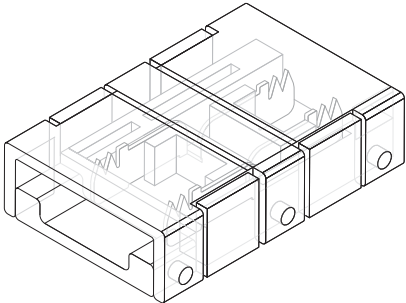


# CN8-BT Clip Connector

## Diffusion Accessories

### Description

The CN8-BT Butt Connector connector simplifies connecting your LED ribbon for quick and secure installations. This 8 mm wide joiner works with our Indoor SL3 and SL1 ribbons.



### Features

- Solderless connections
- No special connectors or hardware required

### Dimensions

#### Connector

17.7 mm (0.69") L x 9.7 mm (0.38") W x 4.5 mm (0.18") H

#### Interior Dimensions

8 mm (0.31")

### Specifications

Compatibility	SL3 and SL1 Indoor
Connection Type	Butt Connector
Material	Plastic
Inner Width	8 mm

### Diagram

