

CN10-JN Clip Connector

Diffusion Accessories

Description

The CN10-JN Joiner connector simplifies connecting your LED ribbon for quick and secure installations. This 10 mm wide joiner works with our Indoor SL6 ribbons.

Features

- Solderless connections
- No special connectors or hardware required

Dimensions

Connector

17.7 mm (0.69") L x 11.7 mm (0.46") W x 4.5 mm (0.18") H

Power Feed Length

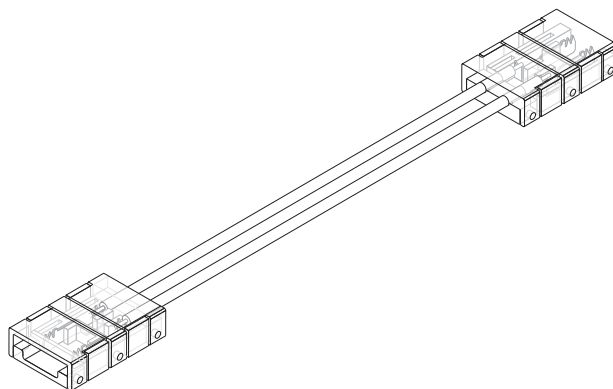
100 mm (4")

Total Length

136 mm (5.35")

Interior Dimensions

10 mm (0.39")



Specifications

Compatibility	SL6 Indoor
Connection Type	Joiner Connector
Material	Plastic
Inner Width	10 mm

Diagram

