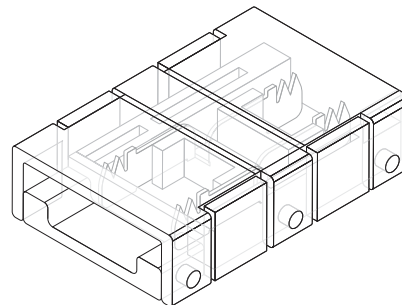


CN10-BT Clip Connector

Diffusion Accessories

Description

The CN10-BT Butt Connector connector simplifies connecting your LED ribbon for quick and secure installations. This 10 mm wide joiner works with our Indoor SL6 ribbons.



Features

- Solderless connections
- No special connectors or hardware required

Dimensions

Connector

17.7 mm (0.69") L x 11.7 mm (0.46") W x 4.5 mm (0.18") H

Interior Dimensions

10 mm (0.39")

Specifications

Compatibility	SL6 Indoor
Connection Type	Power Feed Connector
Material	Plastic
Inner Width	10 mm

Diagram

