

CN10-BT Connector

Diffusion Accessories

Safety Instruction and Warning

WARNING:

READ CAREFULLY BEFORE INSTALLING.

Installation should only be performed by a qualified electrician in accordance with NEC and all applicable local building codes.

Risk of fire or electric shock. Fixture installation requires knowledge of luminaire electrical systems. If not qualified, do not attempt installation. Contact a qualified electrician.

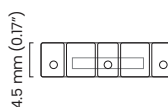
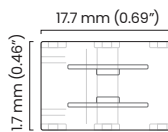
Ensure that electrical power is turned OFF before and during installation or maintenance.

Fixtures must be connected to a wiring system that includes an equipment-grounding conductor.

Ensure that the supply voltage matches the rated voltage of the luminaire fixture.

Wear gloves and safety glasses at all times when removing the luminaire from the carton, installing, servicing, or performing maintenance.

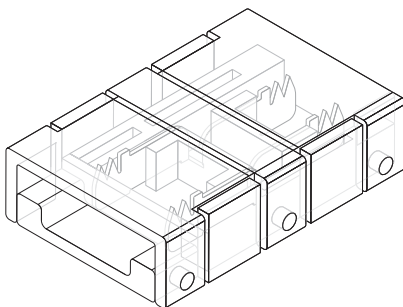
Diagram



Description

The CN10-BT Butt Connector connector simplifies connecting your LED ribbon for quick and secure installations. This 10 mm wide joiner works with our Indoor SL6 ribbons.

Shop Drawing



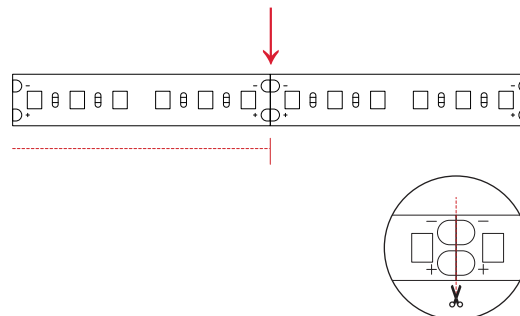
CN10-BT Connector

Diffusion Accessories

Step 1

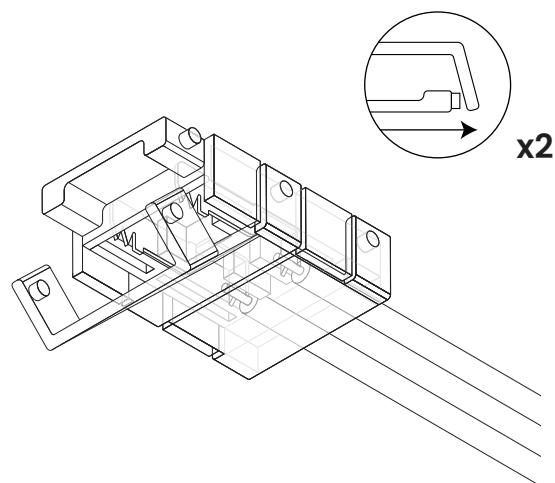
Measure the LED ribbon and cut it to your desired length using a sharp pair of scissors.

Ensure you cut directly in the center of the designated cut marks on the ribbon.



Step 2

Open the clip connector by pulling outward on the two side tabs to release them from their notches, and then lift up the cover

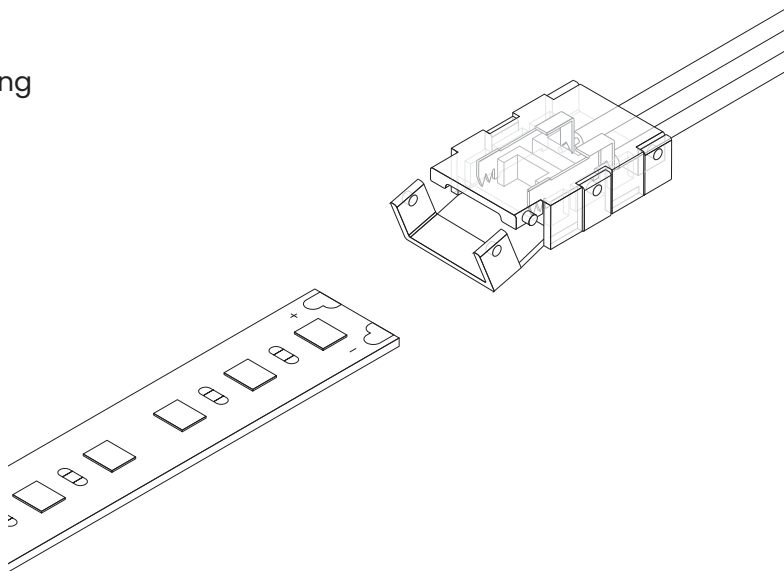


CN10-BT Connector

Diffusion Accessories

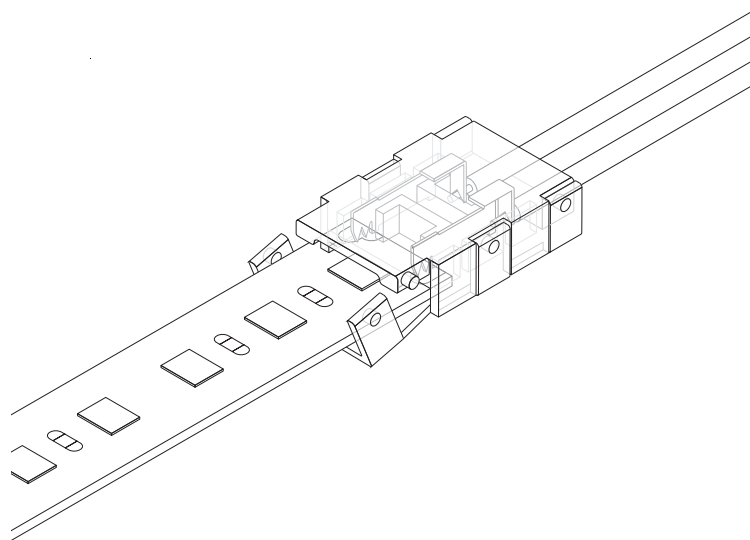
Step 3

Ensure the open connector is oriented right-side up, with the open flap hinging downwards, and keep the LED diodes facing upwards toward the internal metal pins.



Step 4

Slide the LED ribbon into the open connector, ensuring the solder pads are positioned directly beneath the metal pins

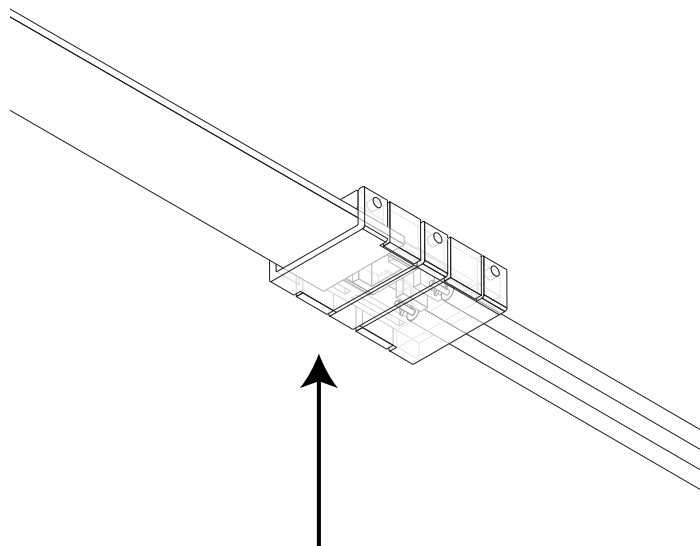


CN10-BT Connector

Diffusion Accessories

Step 5

Firmly press the cover upwards to close the connector. Ensure both side tabs click into place, locking the pins securely against the ribbon



Step 6

Test the fixture to ensure it is working correctly.

If the LED ribbon does not light up, carefully open the connector and repeat the steps to ensure the pins are fully contacting the solder pads

